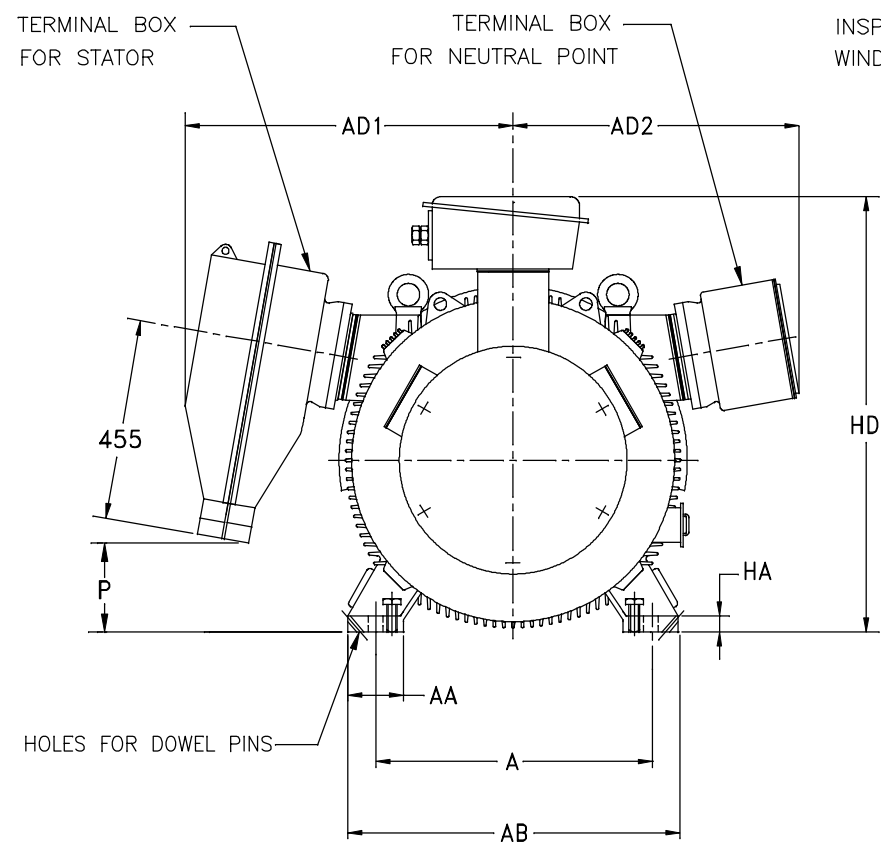


IF IN DOUBT ASK... LME

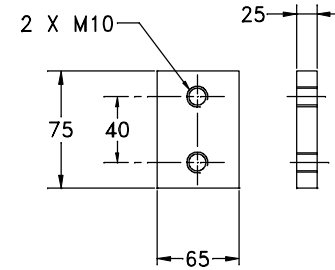
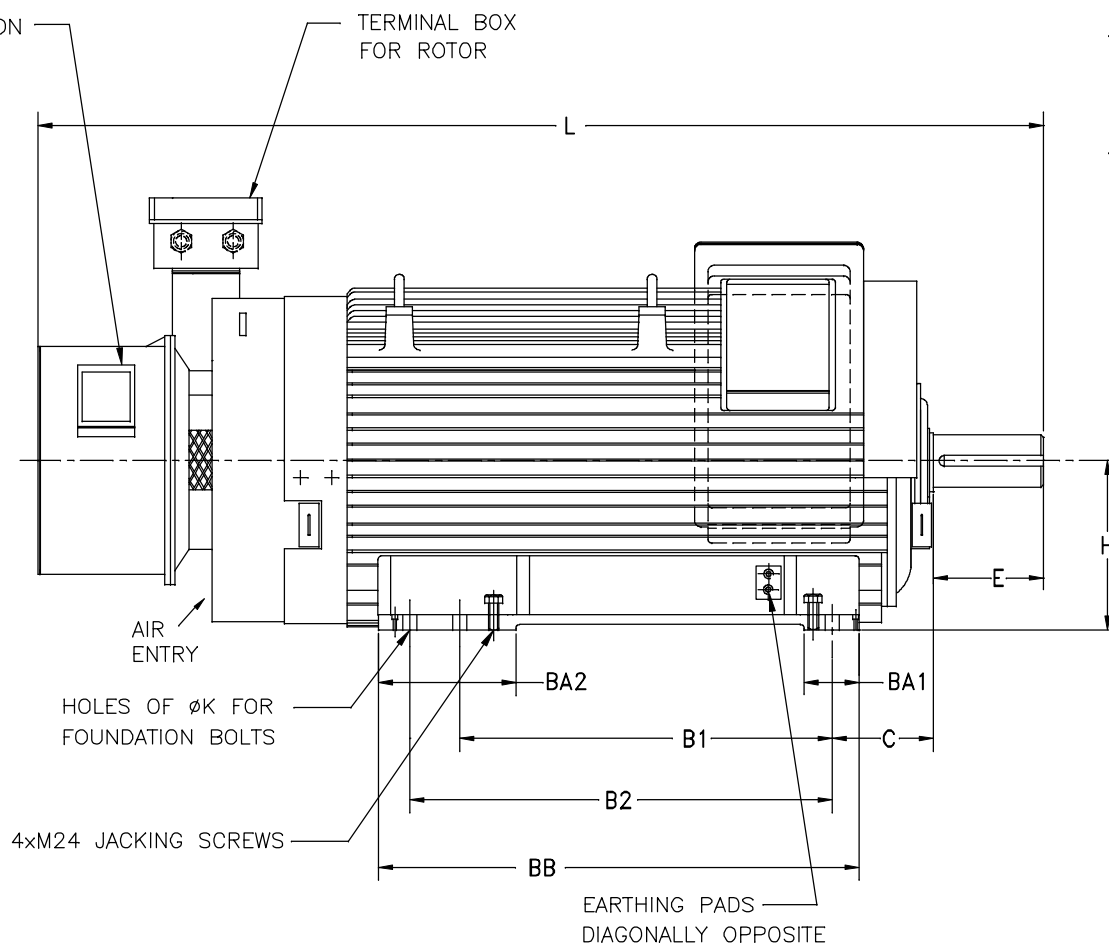
33507898 R2

DO NOT SCALE THE DRAWING

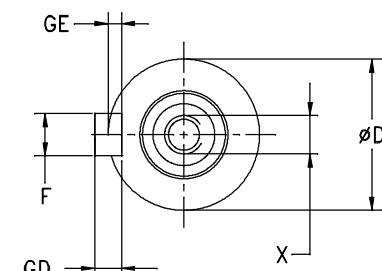
ALL DIMENSIONS ARE IN mm UNLESS OTHERWISE STATED



VIEW FROM NDE



EARTHING PAD  
DETAILS



SHAFT EXTENSION  
DETAILS

- NOTE:-
- MOTOR CONFORMS TO IS:325/IEC:34-1
  - ENCLOSURE TO DEGREE OF PROTECTION IP:55  
COOLING IC:411
  - MAIN TERMINAL BOX IS SUITABLE FOR 360° ROTATION IN STEPS OF 90°
  - FOLLOWING ACCESSORIES ARE PROVIDED ON REQUEST
    - a) ANTI CONDENSATION HEATER
    - b) WINDING RTD
    - c) DIAL / RESISTANCE TYPE BTD
  - LIFTING HOOKS
    - a) 2 Nos. FOR 315 & 355
    - b) 4 Nos. FOR 400 & ABOVE

SDX 560 F	6P & UP	950	160	1120	910	575	1120	1250	230	300	1425	355	170	240	40	22	13	560 <sup>+0</sup> <sub>-2</sub>	55	1420	42	570	M30	3060	8000
	4P												145	200	36	20	12							3030	
SDX 500 F	6P & UP	850	160	1000	860	810	1000	1120	200	300	1380	355	145	200	36	20	12	500 <sup>+0</sup> <sub>-2</sub>	55	1300	42	450	M30	2815	6000
	4P												125	165	32	18	11						M24	2780	
SDX 450 F	6P & UP	750	140	890	800	750	900	1000	170	230	1130	315	140	250	36	20	12	450 <sup>+0</sup> <sub>-2</sub>	48	1200	35	345	M30	2600	4200
	4P												110	210	28	16	10						M24	2560	
SDX 400 F	6P & UP	686	140	826	760	710	800	900	170	400	1030	280	125	210	32	18	11	400 <sup>+0</sup> <sub>-2</sub>	48	1110	35	240	M30	2430	3200
	4P												110	210	28	16	10								
SDX 355 F	4P & UP	610	120	730	725	675	560	710	145	280	840	254	100	210	28	16	10	355 <sup>+0</sup> <sub>-1</sub>	42	1025	28	165	M24	2115	2400
SDX 315 F	4P & UP	508	120	628	685	635	457	508	145	200	628	216	95	170	25	14	9	315 <sup>+0</sup> <sub>-1</sub>	42	955	28	100	M24	1925	1800
FRAME	POLE	A	AA	AB	AD1	AD2	B1	B2	BA1	BA2	BB	C	D	E	F	GD	GE	H	HA	HD	K	P	X	L	Wt. IN Kg. (approx)

REV.		ZONE	BRIEF RECORD	SIGNATURE	DATE
2	---		FRAME SDX 560 F ADDED	BASAVA/SL	10/11/08
1	---		FRAME SDX 355 F WAS SDX 335 F		
MKTG. ACM.		ALL INFORMATION CONTAINED IN THIS DOCUMENT IS CONFIDENTIAL AND THE PROPERTY OF KIRLOSKAR ELECTRIC CO. LTD. REPRODUCTION OF THESE IN ANY FORM IS TO BE DONE WITH THE SPECIFIC PERMISSION OF THE COMPANY.			DRAWING No.
PRINTS ISSUED TO		THIS SUPERSEDES			FROM DT.
		THIS IS SUPERSEDED BY			SIGN & DATE.

CUSTOMER / O/A No. \_\_\_\_\_

**FOR QUOTATION ONLY**

SCALE: **NTS**

USED ON / TYPE: **SDX F SERIES HIGH VOLTAGE (PHASE INSULATED T.BOX)**

TITLE: **DIMENSIONAL DRAWING**

**33507898 R2**

SHEET NO. **1** OF **1**

KIRLOSKAR ELECTRIC COMPANY LTD. BANGALORE - 560055 (INDIA)

FORM No. 11401038