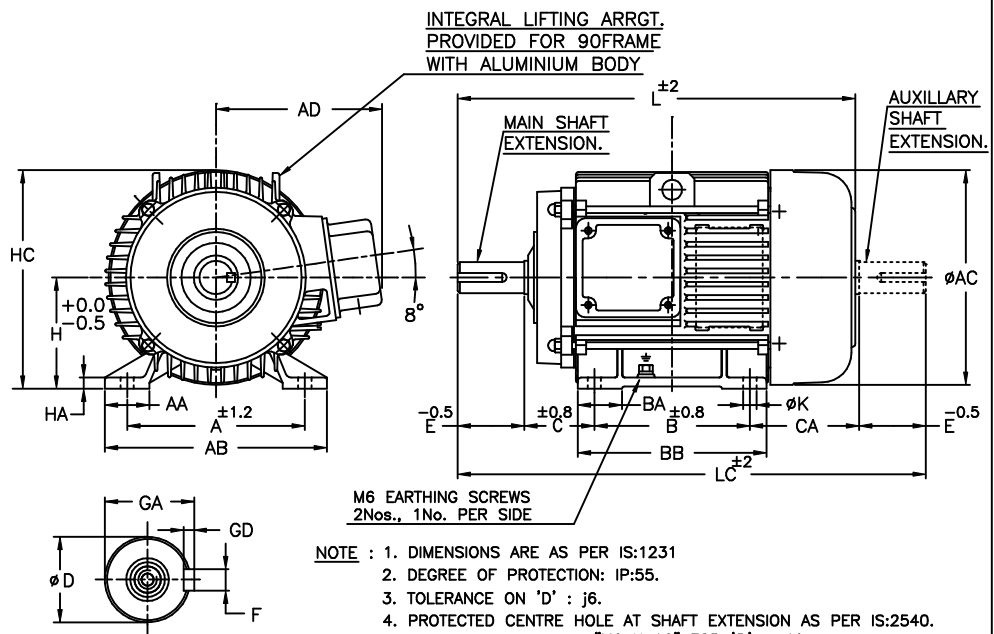


UNMENTIONED TOLERANCES

LINEAR DIMENSIONS (SUPTO (MACHINED) / DTL. ANGLES)	ABOVE 0	6	315	1000
	0	6	315	1000
	±0.2	±0.5	±0.8	±1.2

ALL INFORMATION CONTAINED IN THIS DOCUMENT IS CONFIDENTIAL AND THE PROPERTY OF KIRLOSKAR ELECTRIC CO.LTD. REPRODUCING OF THESE IN ANY FORM IS TO BE DONE WITH THE SPECIFIC PERMISSION OF THE COMPANY.

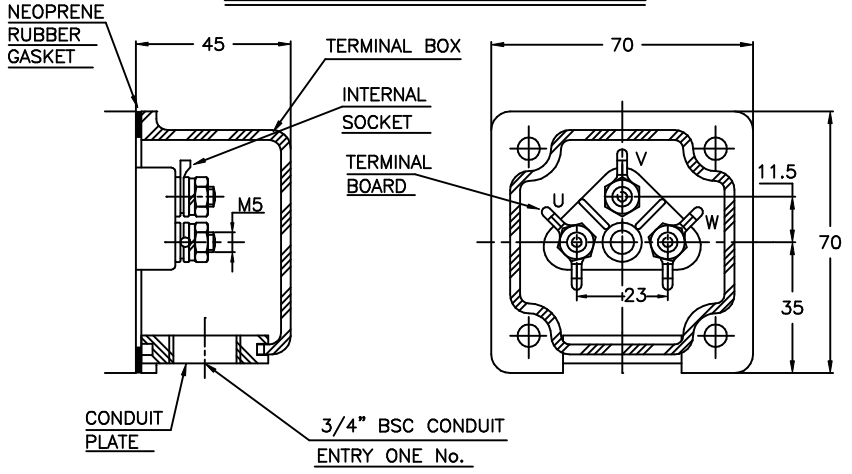
DIMENSIONAL DRAWING



- NOTE :**
1. DIMENSIONS ARE AS PER IS:1231
 2. DEGREE OF PROTECTION: IP:55.
 3. TOLERANCE ON 'D' : j6.
 4. PROTECTED CENTRE HOLE AT SHAFT EXTENSION AS PER IS:2540.
"M6 X 16" FOR 'D' - ϕ 19
"M8 X 20" FOR 'D' - ϕ 24
 5. TERMINAL BOX CAN BE ROTATABLE THROUGH 360° IN STEPS OF 90°.
 6. KEY & KEYWAY ARE AS PER IS:2048 & TOLERANCE ON KEYWAY IS P9.

DETAILS OF MAIN & AUXILIARY SHAFT EXTENSION

TERMINAL BOX ARRANGEMENT



NOTE: MAX. CABLE SIZE : MAIN-1x3Cx6 sqmm.

SL. NO.	FRAME	A	AA	AB	AC	AD	B	BA	BB	C	CA	D	E	F	GA	GD	H	HA	HC	K	L	LC
1	PM 80	125	30	155	156	130	100	30	120	50	80	19	40	6	21.5	6	80	10	158	10	270	310
2	PM 90S	140	35	175	178	140	100	30	120	56	87	24	50	8	27	7	90	13	178	10	293	343
3	PM 90L						125	30	145												318	368

Z122604100JR

SURFACE ROUGHNESS (MAX) AS PER KSD-02-027

RM	50	12.5	25	1.6	3.2	6.3	0.2	0.4	0.8	0.025	0.05	0.1
OLD	✓	✓	✓	✓	✓	✓	✓	✓	✓	✓	✓	✓
NEW	✓	✓	✓	✓	✓	✓	✓	✓	✓	✓	✓	✓

UC: CHAM: UNMENTIONED

REV.	ZONE	DCN.No.	BRIEF RECORD	SIGNATURE	DATE	PRINTS ISSUED TO
1	-	0122209	REDRAWN IN A NEW FORMAT.	Sd/-	10/01/09	QA MARKETING PRODUCTION
8	7					

THIS SUPERSEDES FROM dt AS PER DCN No.....
 THIS SUPERSEDED BY FROM dt AS PER DCN No.....

MATERIAL SPECIFICATION	RAW MATERIAL SIZE	WEIGHT kg
-	-	RM FIN.
-	-	-

CASTING/FAB REF. _____ No.P.S.: -
 USED ON **PM80 & 90**

SCALE	NTS
sd/-	sd/-
dt10/01/09	dt10/01/09

TITLE: DIMENSION SHEET

32260498R1

SHEET ONE OF ONE

KIRLOSKAR ELECTRIC COMPANY LTD. HUBLI-580030 (INDIA)

FORM No. 02 201 02B (ISSUE 7)