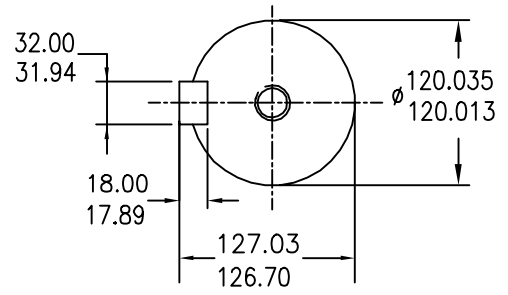
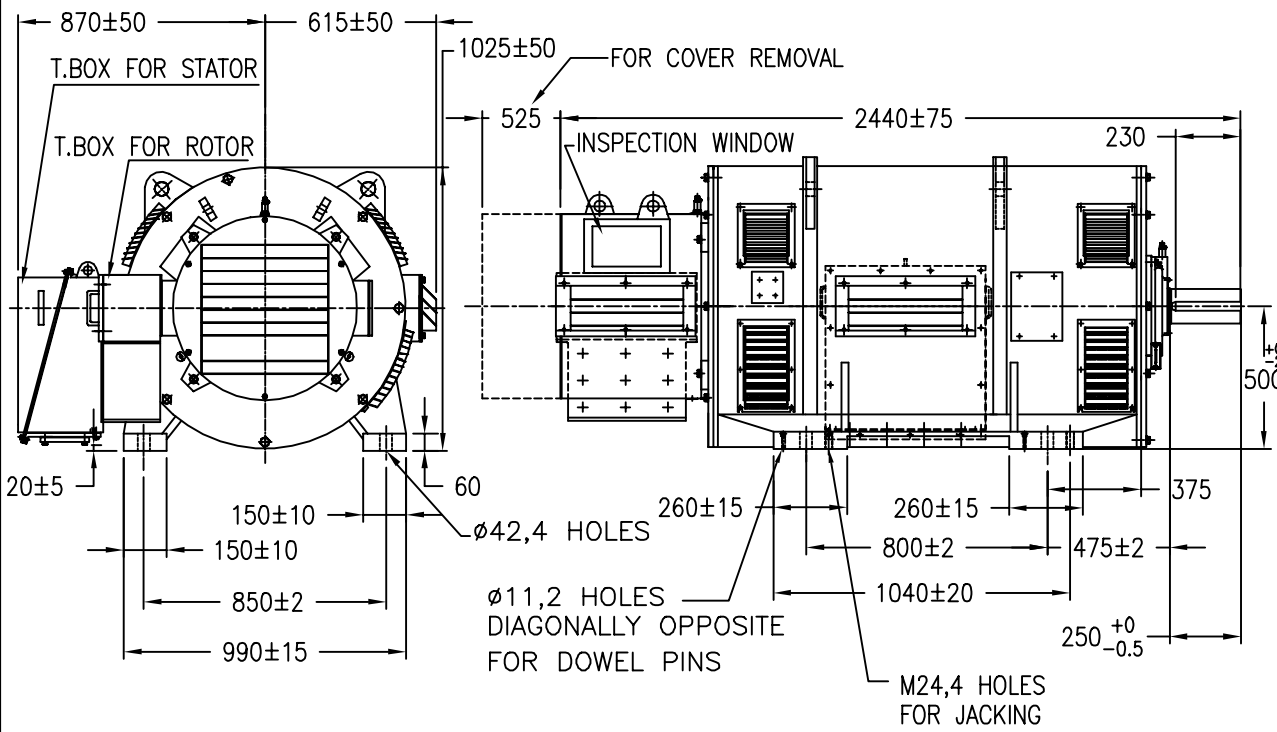
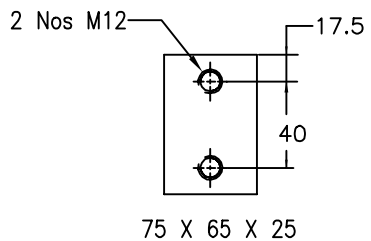


IF IN DOUBT ASK
LME

4 3 2 1
DO NOT SCALE THE DRAWING ALL DIMENSIONS ARE IN mm UNLESS OTHERWISE STATED



SHAFT EXTENSION DETAILS



EARTHING PAD

SL.NO	TERMINAL BOX	DRAWING NO.
1	STATOR	43506201
2	ROTOR	43521599

NOTE

1. MOTOR CONFORMS TO IS:325
2. ENCLOSURE IP:23/IC01
3. MOUNTING IM:1001.
4. WEIGHT OF THE MOTOR 4500 Kg.

ALL INFORMATION CONTAINED IN THIS DOCUMENT IS CONFIDENTIAL AND THE PROPERTY OF KIRLOSKAR ELECTRIC CO. LTD. REPRODUCTION OF THESE IN ANY FORM IS TO BE DONE WITH THE SPECIFIC PERMISSION OF THE COMPANY.

SIGN & DATE.

FROM dt.

DRAWING No.

THIS SUPERSEDES THIS IS SUPERSEDED BY

REV.	ZONE	BRIEF RECORD	SIGNATURE	DATE	PRINTS ISSUED TO.
------	------	--------------	-----------	------	-------------------

CUSTOMER / O/A No. SCALE NTS DRAWN SL 22/11/03

USED ON / TYPE **KCW 500C** CHECKED KN 22/11/03
600kW,415VOLTS,750SRPM APPROVED KN 22/11/03

TITLE: **DIMENSIONAL DRAWING** DRG. NO. **43515803**

SHEET NO. 1 OF 1



FORM No. 11401037