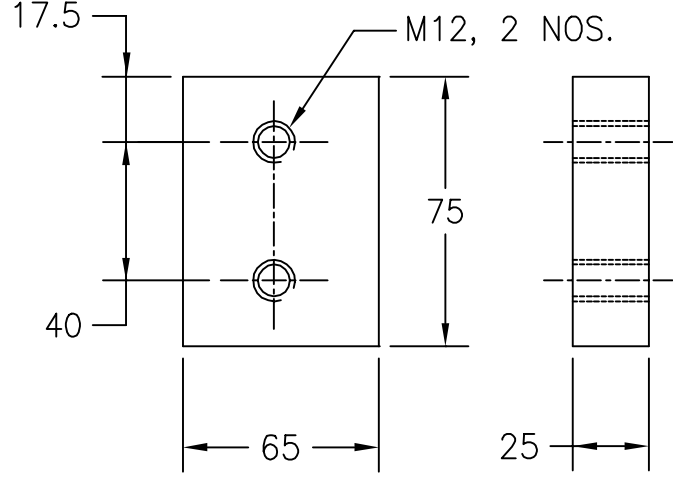
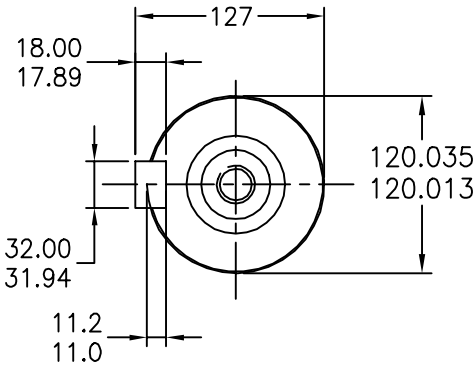
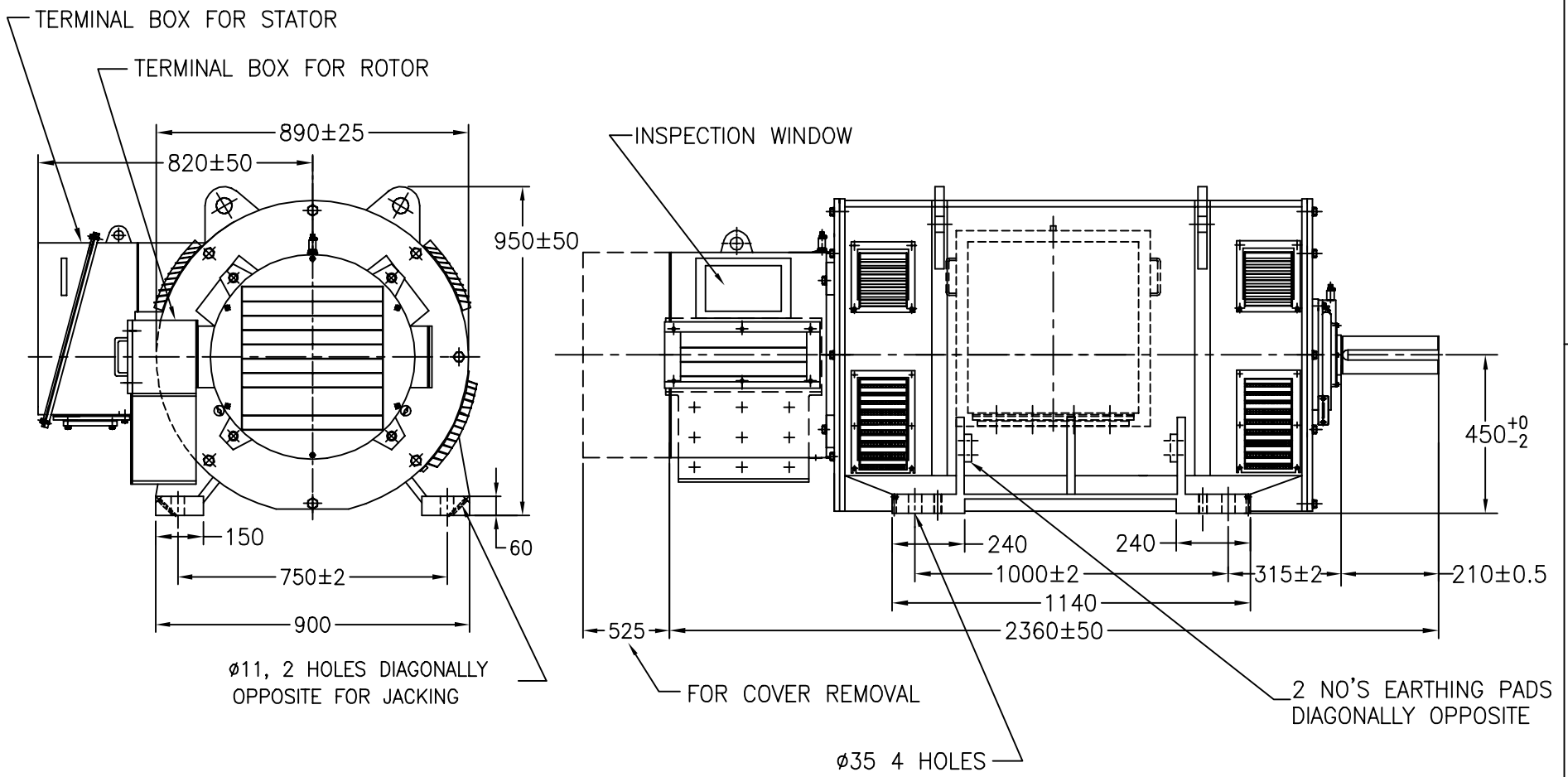


IF IN DOUBT ASK

M.M.E.

DO NOT SCALE THE DRAWING

ALL DIMENSIONS ARE IN mm UNLESS OTHERWISE STATED



NOTE:-

1. MOTOR CONFORMS TO IS:325
2. DIMENSIONS WITHOUT TOLERANCE, ARE FOR REFERANCE ONLY.
3. MOUNTING IM: 1001
4. ENCLOSURE TO IP:23/IC:01
5. PROTECTED CENTER HOLE "M24X50" DEEP AS PER IS: 2540 AT SHAFT EXTENSION.
6. 4 NO'S OF M24 HOLES ONE ON EACH FOOT PROVIDED FOR JACKING.

ALL INFORMATION CONTAINED IN THIS DOCUMENT IS CONFIDENTIAL AND THE PROPERTY OF KIRLOSKAR ELECTRIC CO. LTD. REPRODUCTION OF THESE IN ANY FORM IS TO BE DONE WITH THE SPECIFIC PERMISSION OF THE COMPANY.

DRAWING No.	FROM dt.	SIGN & DATE.
---	---	---
THIS SUPERSEDES	THIS IS SUPERSEDED BY	

REV.	ZONE	BRIEF RECORD	SIGNATURE	DATE	PRINTS ISSUED TO.
					MKTG. ACM

CUSTOMER / O/A No.	SCALE	DRAWN	DATE
-----	NTS		06/11/04
USED ON / TYPE		CHECKED	DATE
KCW450C 450 kW 415VOLTS 750SRPM			06/11/04
TITLE:		APPROVED	DATE
DIMENSIONAL DRAWING			06/11/04
		DRG. NO.	
		41117004	
		SHEET NO.....1..... OF.....1.....	



FORM No. 11401037