

IF IN DOUBT ASK

MME

ALL INFORMATION CONTAINED IN THIS DOCUMENT IS CONFIDENTIAL AND THE PROPERTY OF KIRLOSKAR ELECTRIC CO. LTD. REPRODUCTION OF THESE IN ANY FORM IS TO BE DONE WITH THE SPECIFIC PERMISSION OF THE COMPANY.

SIGN & DATE.

FROM dt.

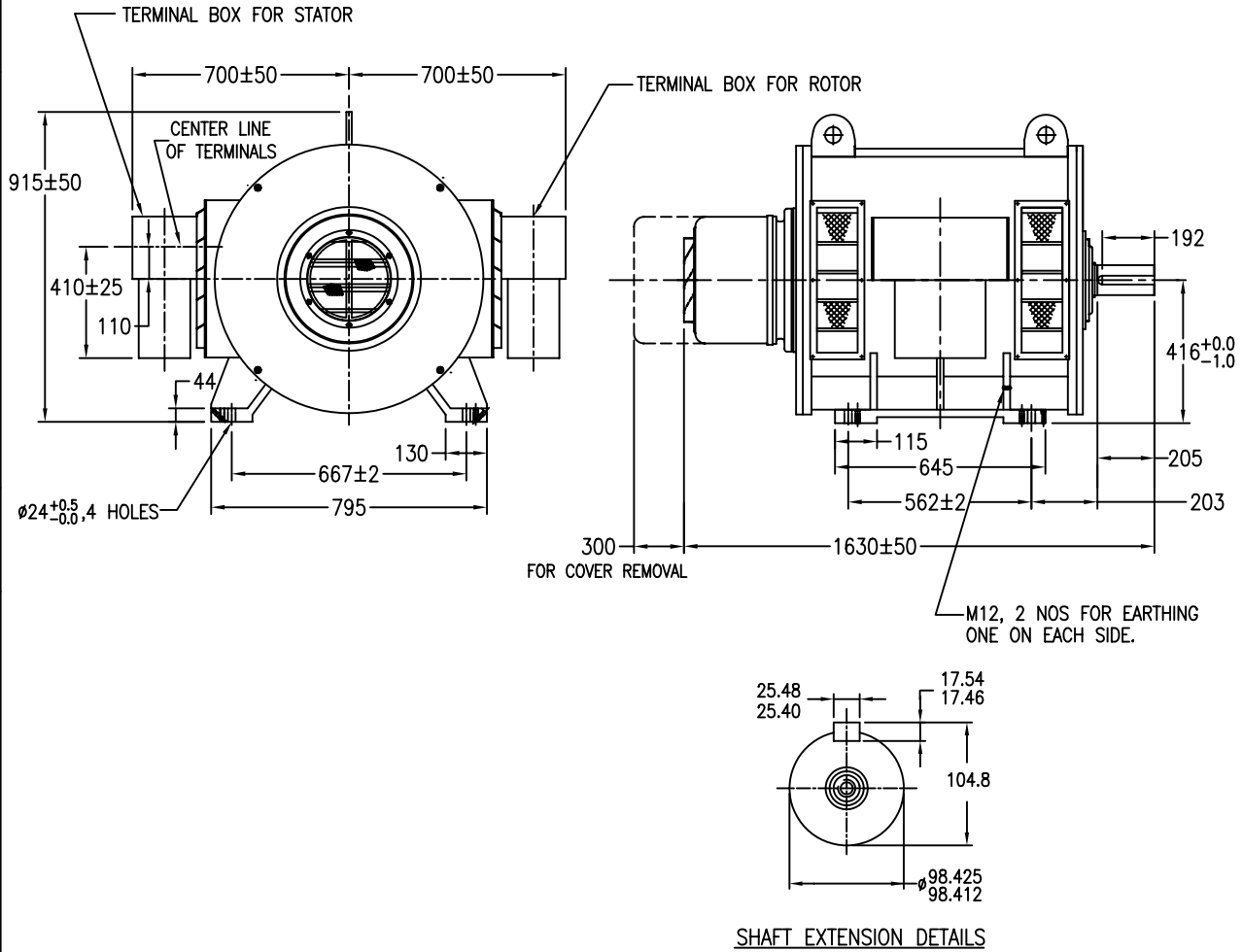
DRAWING No.

THIS SUPERSEDES THIS IS SUPERSEDED BY

4 3 2 1

DO NOT SCALE THE DRAWING

ALL DIMENSIONS ARE IN mm UNLESS OTHERWISE STATED



NOTE:-

1. MOTOR CONFORMS TO IS 325
2. ENCLOSURE : IP 23 / IC01
3. MOUNTING : IM 1001
4. BEARING: DE - NU 321 C3
NDE - 6319 C3
5. DIMENSIONS WITHOUT TOLERANCE ARE FOR REFERENCE ONLY.
6. 4 Nos. of M16, HOLES ONE ON EACH FOOT ARE PROVIDED FOR JACKING.
7. TERMINAL BOX OF STATOR & ROTOR CAN BE ROTATABLE THROUGH 360° IN STEPS OF 180°.
8. PROTECTED CENTER HOLE "M24x50" DEEP AS PER IS:2540 AT SHAFT EXTENSION.

REV.	ZONE	BRIEF RECORD	SIGNATURE	DATE	PRINTS ISSUED TO.
					MKTG. ACM

CUSTOMER / O/A No. _____ SCALE _____ DRAWN HCR _____ 10/06/05

USED ON / TYPE _____ TR5C _____ CHECKED _____ 10/06/05

TITLE: _____ APPROVED _____ 10/06/05

DRG. NO. _____ 41105105

SHEET NO.....1..... OF.....1.....

KIRLOSKAR ELECTRIC COMPANY LTD. BANGALORE - 560055 (INDIA)



D
C
B
A

FORM No. 11401037