

**UNMENTIONED TOLERANCES**

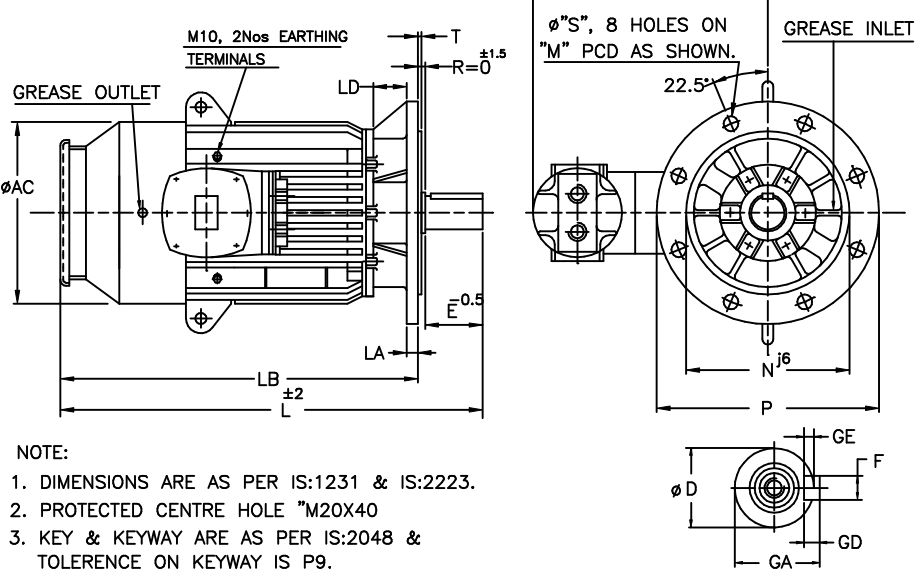
LINEAR DIMENSIONS (SUPTO MACHINED) TOL.	0	6	315	1000
ABOVE	±0.2	±0.5	±0.8	±1.2
ANGLES	± 1/2°			

ALL INFORMATION CONTAINED IN THIS DOCUMENT IS CONFIDENTIAL AND THE PROPERTY OF KIRLOSKAR ELECTRIC CO.LTD. REPRODUCING OF THESE IN ANY FORM IS TO BE DONE WITH THE SPECIFIC PERMISSION OF THE COMPANY.

**SURFACE ROUGHNESS (MAX) AS PER KSD-02-027**

Ro	um	50	12.5	25	1.6	3.2	6.3	12.5	0.2	0.4	0.8	1.6	0.025	0.05	0.1
OLD	NEW	✓	✓	✓	✓	✓	✓	✓	✓	✓	✓	✓	✓	✓	✓

**OUTLINE DRAWING**

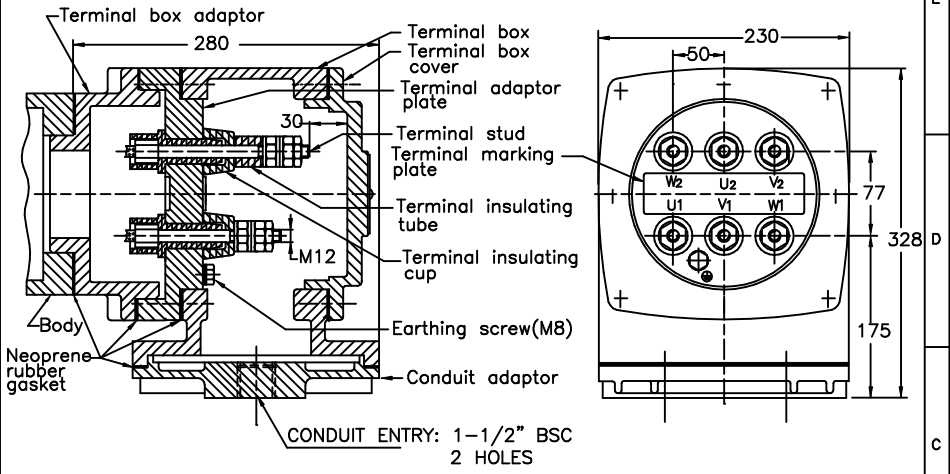


- NOTE:
- DIMENSIONS ARE AS PER IS:1231 & IS:2223.
  - PROTECTED CENTRE HOLE "M20X40
  - KEY & KEYWAY ARE AS PER IS:2048 & TOLERANCE ON KEYWAY IS P9.
  - DEGREE OF PROTECTION - IP:55

ITEM/TAG No.			
RATING			
CABLE SIZE			
O/A NO.:	CUSTOMER :		
PROJECT :	CONSULTANT :	JOB No. :	

BLE225 - 4,6&8P	522	545	60m6	140	18	64	11	7	920	16	780	72	400	350j6	450	0	19	5
BLE225 - 2P	522	545	55m6	110	16	59	10	6	890	16	780	72	400	350j6	450	0	19	5
FRAME	AC	AD	phi D	E	F	GA	GD	GE	L	LA	LB	LD	M	N	P	R	phi S	T

**TERMINAL BOX ARRANGEMENT**



- NOTE:-
- MINIMUM ELECTRICAL CLEARANCE & CREEPAGE DISTANCE ARE AS PER IS:4821, TABLE-2
  - CABLE SIZE : 2X3.5CX50 sq mm

**Z122638100JR**

THIS SUPERSEDES ..... FROM dt ..... AS PER DCN No.....		THIS SUPERSEDED BY ..... FROM dt ..... AS PER DCN No.....	
MATERIAL SPECIFICATION	RAW MATERIAL SIZE	WEIGHT kg	 SCALE NTS
		RM FIN.	
CASTING/FAB REF.	No.P.S.:-	REDRAWN	CHECKED
USED ON	BLE 225	Sd/-	Sd/-
TITLE:	<b>DIMENSION SHEET</b>	d12/01/2009	d12/01/2009
REV.	ZONE	DCN.No.	BRIEF RECORD
1	--	0122209	REDRAWN IN A NEW FORMAT.
SIGNATURE	DATE	PRINTS ISSUED TO	QA PRODUCTION
			MMD

**32263898R1**

SHEET ONE of ONE

**KIRLOSKAR ELECTRIC COMPANY LTD. HUBLI-580030 (INDIA)**