

UNMENTIONED TOLERANCES

LINEAR DIMENSIONS (SUPTO (MACHINED))	0	6	315	1000
ABOVE	0	6	315	1000
(MACHINED) TOL.	±0.2	±0.5	±0.8	±1.2
ANGLES	± 1/2°			

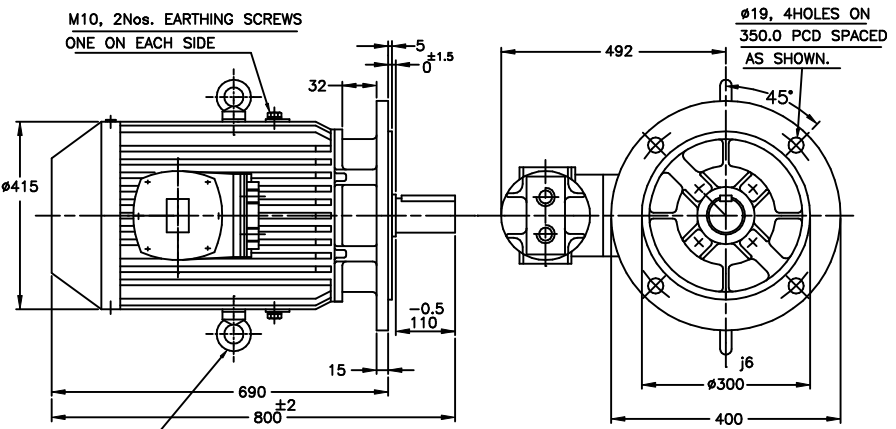
ALL INFORMATION CONTAINED IN THIS DOCUMENT IS CONFIDENTIAL AND THE PROPERTY OF KIRLOSKAR ELECTRIC CO.LTD. REPRODUCING OF THESE IN ANY FORM IS TO BE DONE WITH THE SPECIFIC PERMISSION OF THE COMPANY.

SURFACE ROUGHNESS (MAX) AS PER KSD-02-027

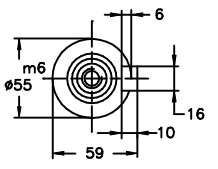
Ro	1.6	3.2	6.3	12.5	25	50
OLD	▽	▽	▽	▽	▽	▽
NEW	▽	▽	▽	▽	▽	▽

CHAM: UNMENTIONED UC: RAD:

OUTLINE DRAWING



POSITION OF ADDITIONAL EYEBOLT WHEN FITTED TO MOTORS REQUIRED FOR VERTICALLY MOUNTED APPLICATIONS

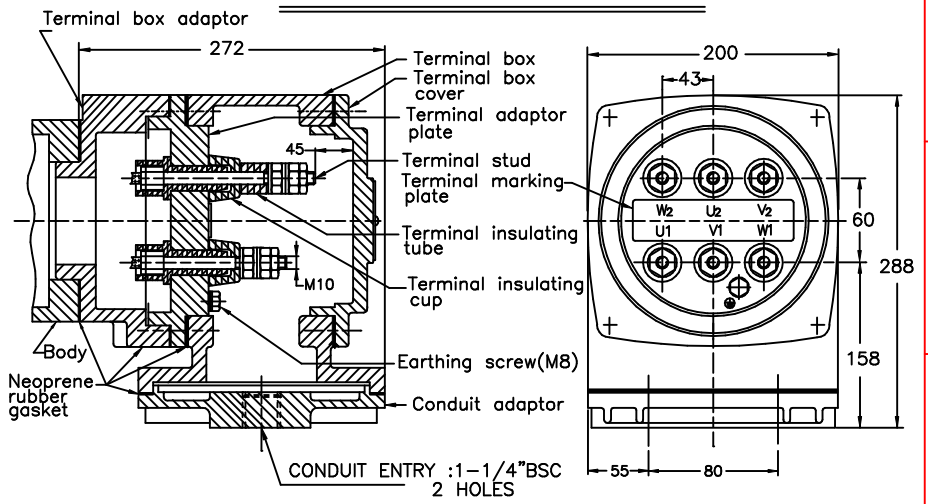


SHAFT EXTENSION DETAILS

1. DIMENSIONS ARE AS PER IS:1231 & IS:2223.
2. PROTECTED CENTRE HOLE "M20X40.
3. KEY & KEYWAY ARE AS PER IS:2048 & TOLERANCE ON KEYWAY IS P9.
4. DEGREE OF PROTECTION - IP:55

ITEM/TAG No.			
RATING			
CABLE SIZE			
O/A NO.:	CUSTOMER :		
PROJECT :	CONSULTANT :	JOB No. :	

TERMINAL BOX ARRANGEMENT



NOTE:-

1. MINIMUM ELECTRICAL CLEARNACE & CREEPAGE DISTANCE ARE AS PER IS:4821-1968, TABLE-2
2. MAXIMUM CABLE SIZE 2x3.5Cx35sq.mm.

Z122637100JR

THIS SUPERSEDES FROM dt AS PER DCN No.....		THIS SUPERSEDED BY FROM dt AS PER DCN No.....	
MATERIAL SPECIFICATION	RAW MATERIAL SIZE	WEIGHT kg	 SCALE
---	---	RM FIN.	
CASTING/FAB REF. ---		No.P.S.-	NTS
USED ON	REDRAWN	CHECKED	STANDARD
	Sd/-	Sd/-	APPROVED
	dt:22/01/2009	dt:22/01/2009	dt:22/01/2009 dt:22/01/2009
TITLE: BLE 200			
DIMENSION SHEET			
SHEET ONE OF ONE			32263798R1
KIRLOSKAR ELECTRIC COMPANY LTD. HUBLI-580030 (INDIA)			

1	--	0122209	REDRAWN IN A NEW FORMAT.	Sd/-	22.01.09	QA
REV.	ZONE	DCN.No.	BRIEF RECORD	SIGNATURE	DATE	PRINTS ISSUED TO
8	7	6	5			

FORM No. 02 201 02B (ISSUE 7)