

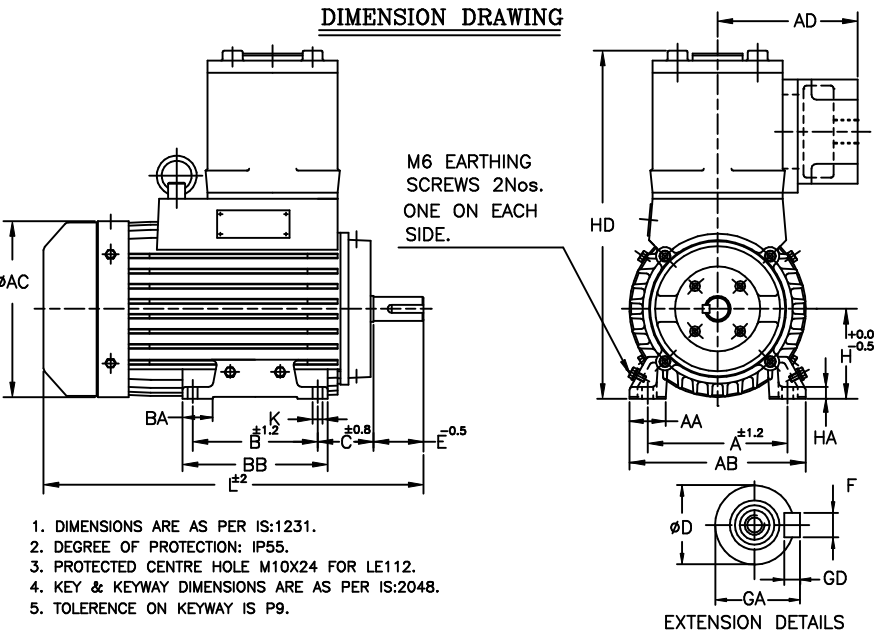
UNMENTIONED TOLERANCES

LINEAR DIMENSIONS (SUPTO MACHINED) TOL.	0	6	315	1000
ABOVE	0	6	315	1000
±	±0.2	±0.5	±0.8	±1.2
ANGLES	± 1/2°			

ALL INFORMATION CONTAINED IN THIS DOCUMENT IS CONFIDENTIAL AND THE PROPERTY OF KIRLOSKAR ELECTRIC CO.LTD. REPRODUCING OF THESE IN ANY FORM IS TO BE DONE WITH THE SPECIFIC PERMISSION OF THE COMPANY.

SURFACE ROUGHNESS (MAX) AS PER KSD-02-027

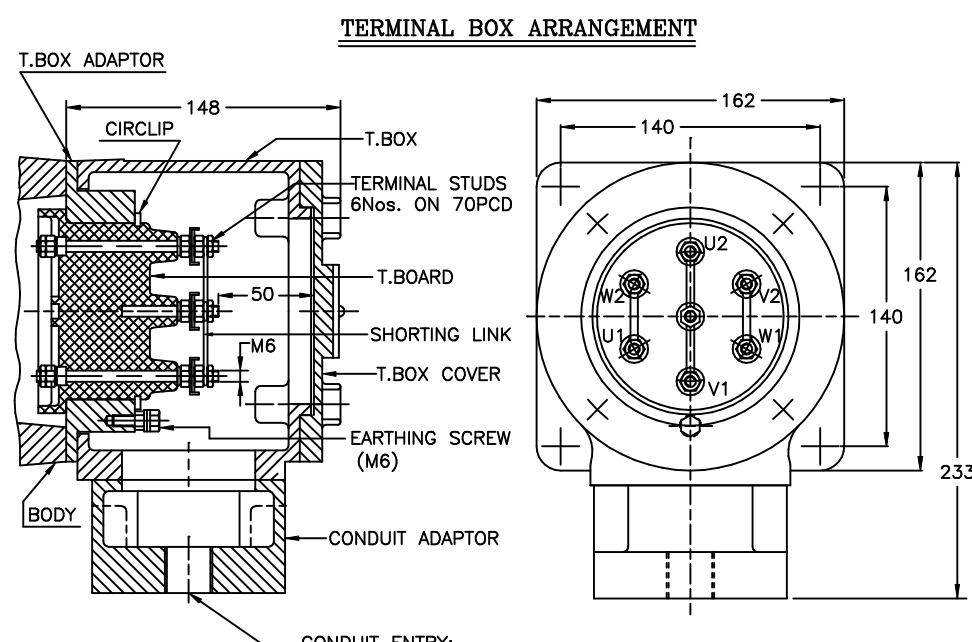
50	12.5	25	1.6	3.2	6.3	1.2	0.4	0.8	0.025	0.05	0.1
OLD	NEW	UC:	UC:	UC:	UC:	UC:	UC:	UC:	UC:	UC:	UC:



1. DIMENSIONS ARE AS PER IS:1231.
 2. DEGREE OF PROTECTION: IP55.
 3. PROTECTED CENTRE HOLE M10X24 FOR LE112.
 4. KEY & KEYWAY DIMENSIONS ARE AS PER IS:2048.
 5. TOLERANCE ON KEYWAY IS P9.

ITEM/TAG No.			
RATING			
CABLE SIZE			
O/A NO.:	CUSTOMER :		
PROJECT :	CONSULTANT :	JOB No. :	

SL	Frame	A	AA	AB	øAC	AD	B	BA	BB	C	D	E	F	GA	GD	H	HA	HD	øK	L
1	LE 112M	190	40	230	219	155	140	40	180	70	28 ^{j6}	60	8	31	7	112	15	390	12	445



NOTE:-
 1) CABLE SIZE :- LE112 - 1X3.5CX25Sq.mm (MAX)

Z122629100JR

THIS SUPERSEDES FROM dt AS PER DCN No.....
 THIS SUPERSEDED BY FROM dt AS PER DCN No.....

MATERIAL SPECIFICATION	RAW MATERIAL SIZE	WEIGHT kg	SCALE	
---	---	RM FIN.		
CASTING/FAB REF.	No.P.S.:-	---	NTS	
USED ON	REDRAWN	CHECKED	STANDARD	APPROVED
LE112M	Sd/-	Sd/-	Sd/-	Sd/-
TITLE:	d/22/01/2009	d/22/01/2009	d/22/01/2009	d/22/01/2009
DIMENSION SHEET	32262998R1			
SHEET ONE OF ONE				

KIRLOSKAR ELECTRIC COMPANY LTD. HUBLI-580030 (INDIA)

REV.	ZONE	DCN.No.	BRIEF RECORD	SIGNATURE	DATE	PRINTS ISSUED TO
1	--	0122209	REDRAWN IN A NEW FORMAT.	Sd/-	22.01.09	QA PRODUCTION MMD
8	7	6	5			

FORM No. 02 201 02B (ISSUE 7)