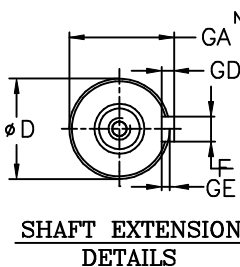
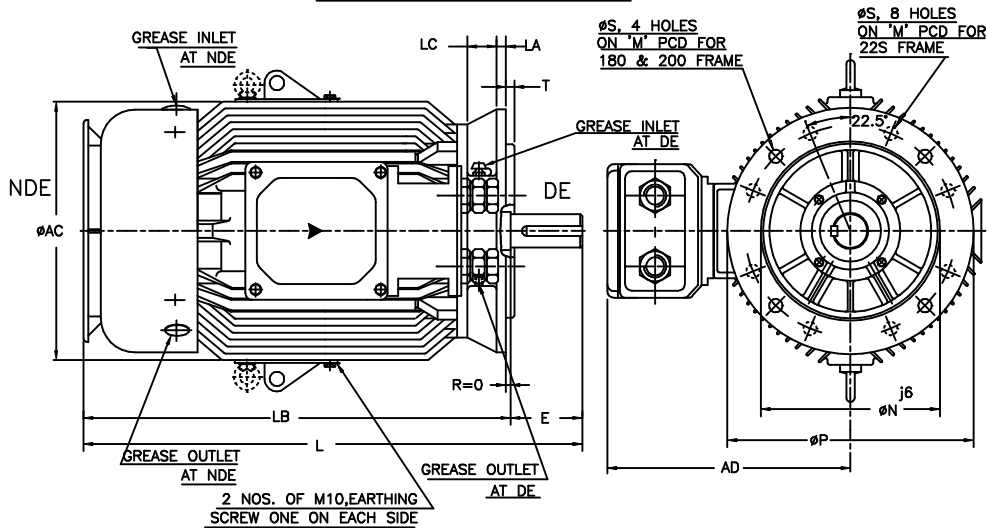


UNMENTIONED TOLERANCES	LINEAR	ABOVE 0	6	315	1000
	DIMENSIONS UPTO (MACHINED)	6	315	1000	2000
	ANGLES	± 0.2 ± 0.5 ± 0.8 ± 1.2			

ALL INFORMATION CONTAINED IN THIS DOCUMENT IS CONFIDENTIAL AND THE PROPERTY OF KIRLOSKAR ELECTRIC CO.LTD, REPRODUCING OF THESE IN ANY FORM IS TO BE DONE WITH THE SPECIFIC PERMISSION OF THE COMPANY.

SURFACE ROUGHNESS (MAX) AS PER KSD-02-027	50	2.5	25	1.5	3.2	6.3	0.2	0.4	0.6	0.8	0.025	0.05	0.1
	OLD	NEW	✓	✓	✓	✓	✓	✓	✓	✓	✓	✓	✓

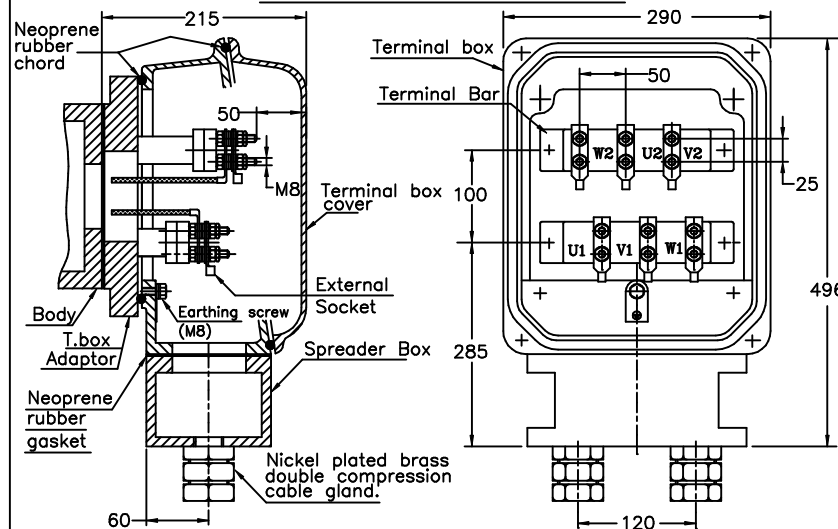
DIMENSIONAL DRAWING



- NOTES:
- DIMENSIONS ARE AS PER IS:2223,IS:1231
 - DEGREE OF PROTECTION, IP:55.
 - TOLERANCE ON 'D' : k6 UPTO & INCLUDING Ø48 : m6 INCLUDING & ABOVE Ø55
 - PROTECTED CENTRE HOLE AT SHAFT EXTENSION AS PER IS:2540 "M16 X 32" FOR 'D'- Ø48 "M20 X 40" FOR 'D'- Ø55 & Ø60
 - THE POSITION AND TYPE OF LIFTING HOOKS AS SHOWN IN DOTTED FOR FRAMES 180 & 200.
 - TERMINAL BOX CAN BE ROTATABLE THROUGH 360° IN STEPS OF 90°.
 - KEY & KEYWAY ARE AS PER IS:2048 & TOLERANCE ON KEYWAY IS P9.
 - MAX.CABLE SIZE - 2x3.5Cx70sqmm.
 - SPREADER BOX PROJECTS BEYOND FLANGE FACE

SL.No.	FRAME	POLES	ØAC	AD	ØD	E	F	GA	GD	GE	L	LA	LB	LC	ØM	ØN ^{j6}	ØP	R	ØS	T
1	eVSC/nVSC 180L	2,4,6 & 8	380	414	48	110	14	51.5	9	5.5	745	13.5	635	42	300	250	350	0	19	5
2	eVSC/nVSC 200L	2,4,6 & 8	430	440	55	110	16	59	10	6	800	15	690	45	350	300	400	0	19	5
3	eVSC/nVSC 225M	2	486	468	55	110	16	59	10	6	855	16	745	59	400	350	450	0	19	5
4	eVSC/nVSC 225M	4,6 & 8			60	140	18	64	11	7	885									

TERMINAL BOX ARRANGEMENT



MINIMUM ELECTRICAL CLEARANCE & CREEPAGE DISTANCE AS PER TABLE -1 OF IS:6381 FOR "e" TYPE & AS PER TABLE-1 OF IS:9628 FOR "n" TYPE.

ITEM/TAG No.			
RATING			
CABLE SIZE			
O/A NO.:	CUSTOMER :		
PROJECT :	CONSULTANT :		JOB No. :

Z122241100JX

THIS SUPERSEDES FROM dt AS PER DCN No.....
 THIS SUPERSEDED BY FROM dt AS PER DCN No.....

MATERIAL SPECIFICATION	RAW MATERIAL SIZE	WEIGHT kg	SCALE	NTS
		RM FIN.		
CASTING/FAB REF. —	No.P.S.: —			
USED ON	REDRAWN	CHECKED	STANDARD	APPROVED
eVSC/nVSC180 TO 225 (DOUBLE ENTRY)	sd/-	sd/-	sd/-	sd/-
	dt22/01/09	dt22/01/09	dt22/01/09	dt22/01/09

TITLE: **DIMENSION SHEET** **32224199R1**

SHEET ONE of ONE

KIRLOSKAR ELECTRIC COMPANY LTD. HUBLI-580030 (INDIA)



FORM No. 02 201 028 (ISSUE 7)