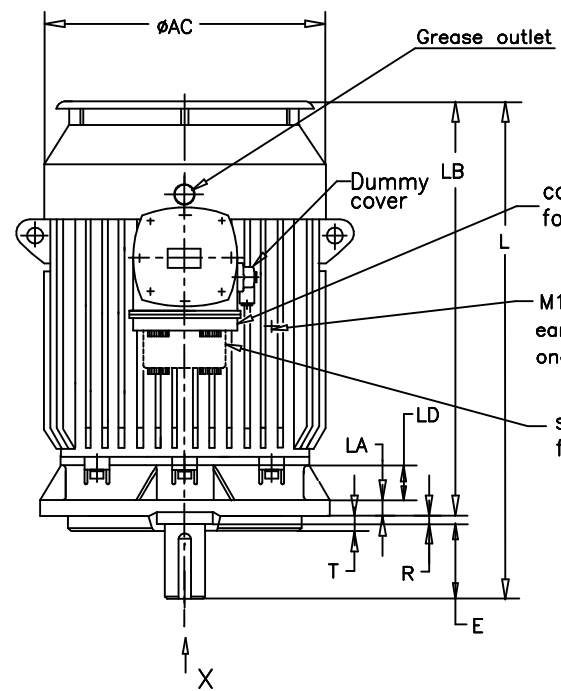
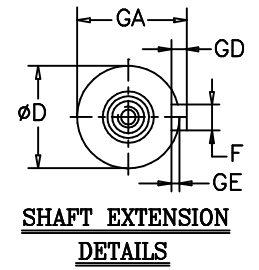
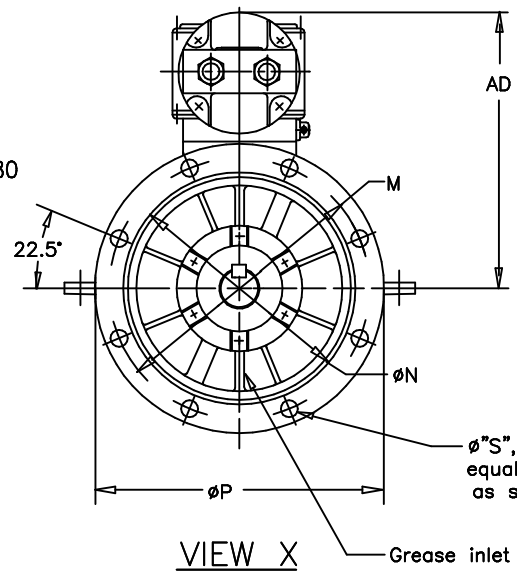


AS PER KSD-02-027

SURFACE ROUGHNESS (MAXIMUM)	0.025	0.05	0.1	0.2	0.4	0.6	0.8	1.6	3.2	6.3	12.5	25	50
	OLD	NEW											



conduit adaptor for frame 250 & 280
 M12, 2nos earthing screws one on each side
 spreader box for 315



NOTE:-

- DIMENSIONS ARE AS PER IS:2223. TYPE "B" FLANGE.
- DEGREE OF PROTECTION: IP:55.
- TOLERANCE ON "D" : m6.
- TOLERANCE ON "N" : j6 FOR 250 & 280 FRAMES. js6 FOR 315 FRAME.
- TOLERANCE ON "M" : ±0.5 FOR 250 & 280 FRAMES. ±1.0 FOR 315 FRAME.
- PROTECTED CENTER HOLE "M20x40" DEEP FOR "D" 60 TO 80 & M24x50 DEEP FOR "D" 90 AS PER IS: 2540 AT SHAFT EXTENSION.

BLE 315L	4,6&8	690	685	90	170	25	95	14	9	1385	22	1215	90	600	550	660	0	24	6
BLE 315L	2	690	685	70	140	20	74.5	12	7.5	1355	22	1215	90	600	550	660	0	24	6
BLE 315S	4,6&8	690	685	80	170	22	85	14	9	1235	22	1065	90	600	550	660	0	24	6
BLE 315S	2	690	685	65	140	18	69	11	7	1205	22	1065	90	600	550	660	0	24	6
BLE 280M	4,6&8	626	645	75	140	20	79.5	12	7.5	1135	22	995	72	500	450	550	0	19	5
BLE 280M	2	626	645	65	140	18	69	11	7	1135	22	995	72	500	450	550	0	19	5
BLE 250M	4,6&8	571	625	65	140	18	69	11	7	980	18	840	72	500	450	550	0	19	5
BLE 250M	2	571	625	60	140	18	64	11	7	980	18	840	72	500	450	550	0	19	5
FRAME	POLE	AC	AD	D	E	F	GA	GD	GE	L	LA	LB	LD	M	N	P	R	S	T

ANGLES ± 1/2°	0	6	315	1000	2000	4000	8000	±1.2	±2	±3
	UC:	0	6	315	1000	2000	4000	±0.8	±1.2	±2
LINES DIMENSIONS (MACHINED)	ABOVE	0	6	315	1000	2000	4000	±0.2	±0.5	±0.8
	UC:	0	6	315	1000	2000	4000	±0.2	±0.5	±0.8

THIS SUPERSEDES _____ FROM dt. _____ SIGN & dt. _____
 THIS SUPERSEDED BY _____ FROM dt. _____ SIGN & dt. _____

MATERIAL SPECIFICATION	RAW MATERIAL SIZE	WEIGHT kg
		RM FIN.

CASTING/FAB REF. _____ No.P.S.: 1

USED ON _____

SCALE: **N.T.S.**

BLE 250 TO 315

DRAWN	CHECKED	APPROVED
dt. 97/04/25	dt. 97/04/25	dt. 97/04/25

TITLE: **DIMENSIONAL DRAWING**

SHEET NO. **ONE** OF **ONE**

KIRLOSKAR ELECTRIC COMPANY LTD. BANGALORE - 560055 (INDIA)

2	C-7,8	CONDUIT PLUG WAS DOUBLE COMPRESSION GLAND.	17.04.2001	
1	C-7,8 D-5	COMPRESSION GLAND ARRNGT. WAS CONDUIT PLUG ARRNGT.	07.07.1998	PP&MM SH2
REV.	ZONE	BRIEF RECORD	SIGNATURE	DATE
8	7	6	5	

FORM No. 11401033