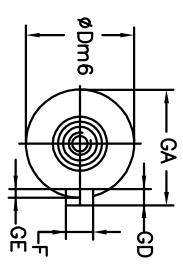
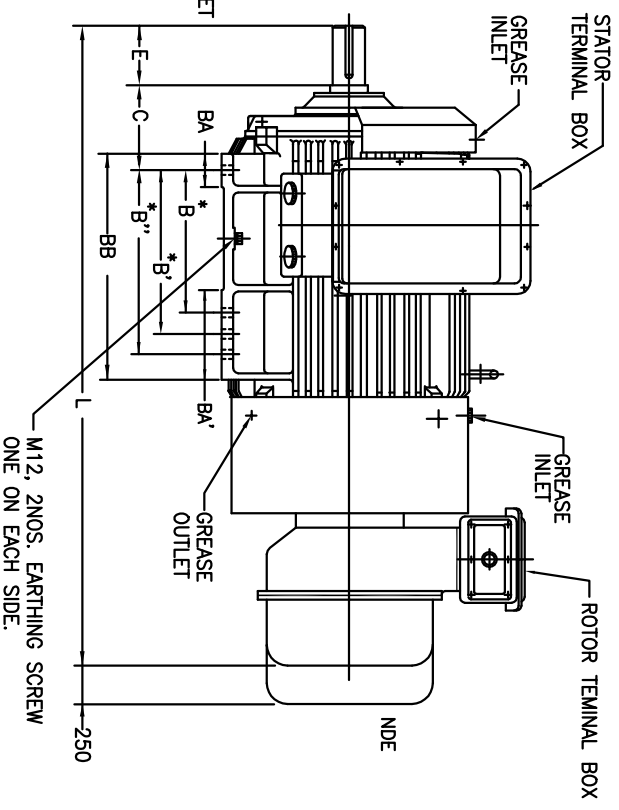
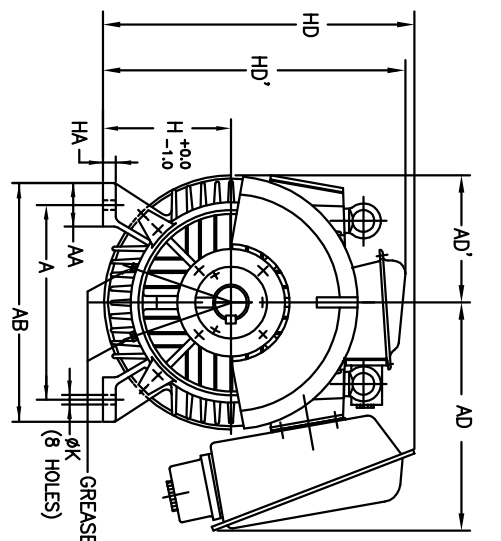


DO NOT SCALE THE DRAWING



**SHAFT EXTENSION
DETAILS**

- NOTE:-**
1. MOTOR CONFORMS TO IS:325
 2. DEGREE OF PROTECTION: IP:55
 3. PROTECTED CENTER HOLE "M24X50" DEEP AS PER IS:2540 AT SHAFT EXTENSION.
 4. STATOR TERMINAL BOX CAN BE ROTATED THROUGH 360° IN STEPS OF 90°
 5. 3 PAIRS OF MOUNTING HOLES ARE PROVIDED ON MOTOR AT NDE SIDE. CUSTOMER CAN CHOOSE ANY ONE PAIR OF MOUNTING HOLES FOR FOUNDATION
 6. 4 NOS. OF M12 HOLES, ONE ON EACH FOOT FOR JACKING.

SDX355X	6&8	610	125	710	700	415	500	560	630	150	300	780	254	100	210	28	106	16	10	355	50	875	925	28	2220
SDX355X	4	610	125	710	700	415	500	560	630	150	300	780	254	100	210	28	106	16	10	355	50	875	815	28	2130
FRAME	POLE	A	AA	AB	AD	AD'	B	B'	B''	BA	BA'	BB	C	D	E	F	GA	GD	GE	H	HA	HD	HD'	K	L

CUSTOMER / O/A No.

USED ON / TYPE **SDX3555X**

SCALE **NTS**

DRAWN **SD/SHF** 20-04-08
 CHECKED **SD/SHF** 20-04-08
 APPROVED **SD/SHF** 30-04-08

DIMENSIONAL DRAWING

31102906

SHOP	REV.	ZONE	BRIEF RECORD	DRAWING No.	FROM DT.	SIGN & DATE	TITLE:
MKTG. AGM	ALL INFORMATION CONTAINED IN THIS DOCUMENT IS CONFIDENTIAL AND THE PROPERTY OF KIRLOSKAR ELECTRIC CO. LTD. REPRODUCTION OF THESE IN ANY FORM IS TO BE DONE WITH THE SPECIFIC PERMISSION OF THE COMPANY.						
PRINTS ISSUED TO	THIS IS SUPERSEDED BY						

KIRLOSKAR ELECTRIC COMPANY LTD. BANGALORE - 560085 (INDIA)