

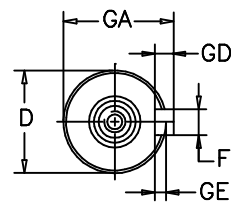
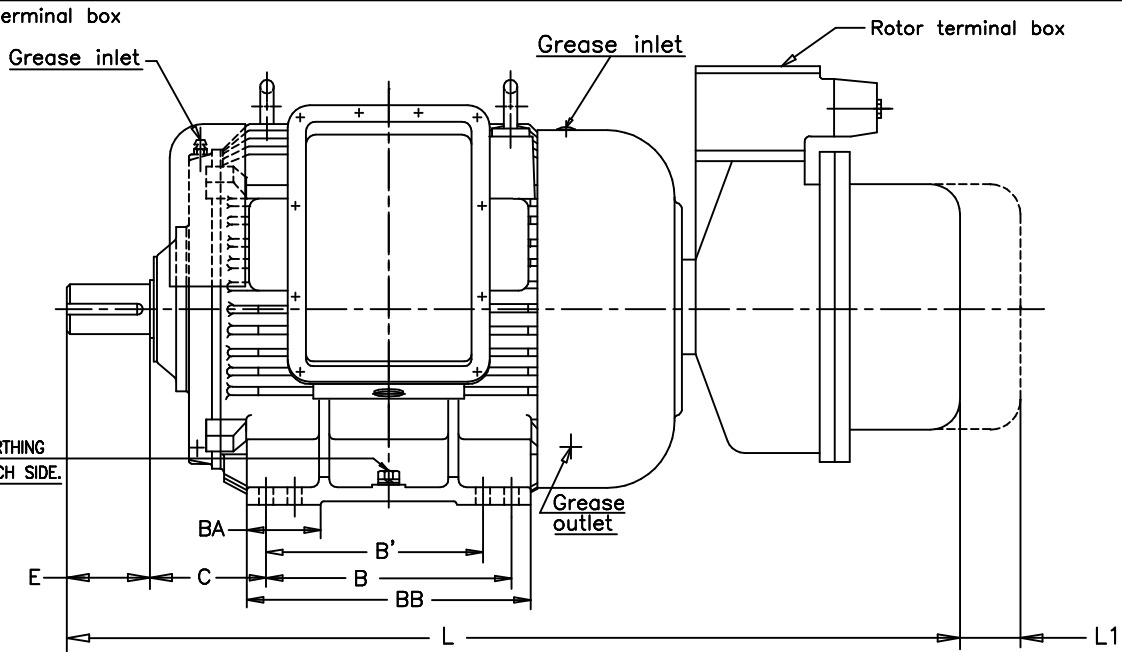
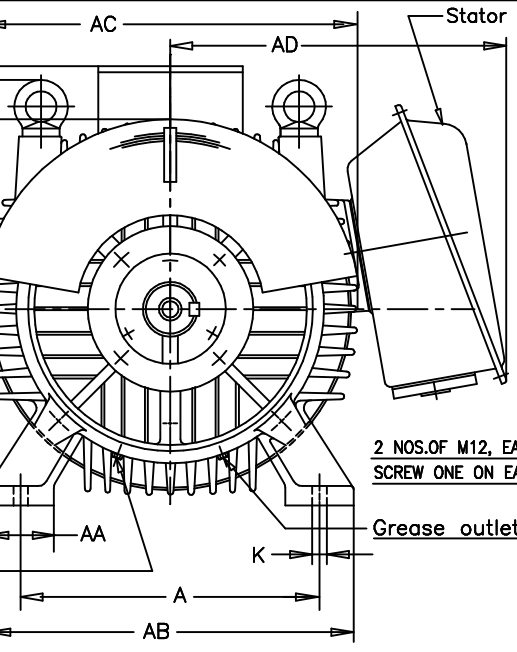
AS PER KSD-02-027

ALL INFORMATION CONTAINED IN THIS DOCUMENT IS CONFIDENTIAL AND THE PROPERTY OF KIRLOSKAR ELECTRIC CO. LTD. REPRODUCTION OF THESE IN ANY FORM IS TO BE DONE WITH THE SPECIFIC PERMISSION OF THE COMPANY.

UNMENTIONED

ANGLES ± 1/2°
LINEAR DIMENSIONS (MACHINED)

CHAM:	UC:	RAD:	ABOVE UPTO	TOLERANCE	SD315L	SD315M	SD315S	FRAME	POLE	A	AA	AB	AC	AD	B	B'	BA	BB	C	D	E	F	GA	GD	GE	H	HA	HC	HD	HD'	K	L	L1
4000	315	0	6	±0.2	4,6&8	4,6&8	4,6&8			508	120	630	640	645	-	508	170	656	216	80	170	22	85	14	9	315	40	640	740	705	28	1780	250
2000	1000	6	315	±0.5	4,6&8	4,6&8	4,6&8			508	120	630	640	645	457	-	150	537	216	80	170	22	85	14	9	315	40	640	740	705	28	1660	250
8000	2000	0	6	±0.2	4,6&8	4,6&8	4,6&8			508	120	630	640	645	-	406	150	537	216	80	170	22	85	14	9	315	40	640	740	705	28	1660	250



DETAILS OF SHAFT EXTENSION

NOTE:-

1. DIMENSIONS ARE AS PER I.S.1231.
2. DEGREE OF PROTECTION: IP:55.
3. TOLERANCE ON H:- +0.00
-1.00
4. TOLERANCE ON "D" :- m6.
5. PROTECTED CENTER HOLE "M20x40" DEEP AS PER IS:2540 AT SHAFT EXTENSION.
6. STATOR TERMINAL BOX CAN BE ROTATABLE THROUGH 360° IN STEPS OF 90°

8211008000JK

THIS SUPERSEDES FROM dt. SIGN & dt.
 THIS SUPERSEDED BY FROM dt. SIGN & dt.

MATERIAL SPECIFICATION	RAW MATERIAL SIZE	WEIGHT kg
		RM FIN.
		No.P.S.

CASTING/FAB REF.
 USED ON
SD 315

TITLE: **DIMENSIONAL DRAWING**

SCALE: NTS

DRAWN CHECKED APPROVED
 dt. 97/01/08 dt. 97/01/08 dt. 97/01/08



SHOP II
 MKTG.AC M/C.
 PRINTS ISSUED TO

SHEET No. **ONE** OF **ONE**

KIRLOSKAR ELECTRIC COMPANY LTD. BANGALORE - 560055 (INDIA)